

**WOKELINE**

**Cross Line Lasers  
Rotary Lasers  
Dots Lasers  
Laser Detector & Remote Control  
Accessories**

**WOKELINE**



**Changzhou Woke Opti-Electronic Instrument Co.,Ltd**

Mobile Phone: +86 13306111338 / +86 139261220079

Tel:+86-519-81683962 Fax: 86-51981683961

Website: [www.wokelaser.com](http://www.wokelaser.com)

E-mail: [Jerry@wellman-laser.com](mailto:Jerry@wellman-laser.com); [will@wellman-laser.com](mailto:will@wellman-laser.com)

Wechat/WhatsApp: +86 13306111338, +86 13306116597

Add: No.101,West Xingming Road, Jintan District Changzhou, Jiangsu, China



**PRECISION BASED ON THE HEART OF MASTER**



# About Us

Wokeline is a Jiangsu high-tech enterprise, which is the earliest Chinese laser level manufacturer for OEM and ODM customers. Located in Changzhou, Jiangsu Province, China, Changzhou Woke Opti-Electronic Instrument Co.,Ltd specializes in producing surveying and mapping instruments and laser products. There are more than 30 kinds of products of different series. These laser measuring products are widely used in the construction setting-out and automatic engineering of horizontal and vertical leveling, which can greatly improve construction working efficiency and engineering accuracy. With these high quality improve construction working efficiency in many countries, Wokeline has successfully built a strategically cooperative relationship with many famous laser instrument companies worldwide.



# SMART LINER



Specification	
Self-leveling Range	±4°
Accuracy	±3mm/10m
Wave Length	635-670nm
Laser Safety Class	Class 2M
Operating Range	20m or 50m with detector
Power Adapter	2*AA batteries or Lithium battery
Operating Time	High / Normal brightness : 6H/ 21H(2*AA batteries)
Operating Temperature	-10 C ~45 C
Dimension	70.5*47*66mm
Net Weight	0.15kg

# Features

- 1 horizontal line & 1 vertical line.
- The most compact self-leveling laser level, easy to carry and use.
- Self-leveling. Laser beams blink when the instrument is out of self-leveling range.
- Tilting mode. Tilts and locks in position to project sloped laser lines, ideal for staircase layout.
- 2 brightness modes: Normal / High brightness options.
- Power source: AA Battery or Lithium battery.



Optional Accessories



# SMART LINER-G



Specification	
Self-leveling Range	±4°
Accuracy	±3mm/10m
Wave Length	520nm±2%
Laser Safety Class	Class 2M
Operating Range	20m or 50m with detector
Power Adapter	2*AA batteries or Lithium battery
Operating Time	High / Normal brightness : 4.5H/ 14H(2*AA batteries)
Operating Temperature	-10 C ~45 C
Dimension	70.5*47*66mm
Net Weight	0.15kg



# WM1V1C



Specification	
Self-leveling Range	±3°
Accuracy	±2mm/10m
Wave Length	635-670nm
Laser Safety Class	Class 2M
Operating Range	20m or 50m with detector
Power Adapter	4*AA batteries or Lithium battery
Operating Time	12H/18H
Operating Temperature	-10 C ~45 C
Dimension	86*72*107mm
Net Weight	0.34kg

## Features

1. 1x360° horizontal planes & 1 vertical line.
2. Self-leveling. Laser beams blinks and acoustic alarm is given when the instrument is out of self-leveling range.
3. Tilting mode. Tilts and locks in position to project sloped laser lines, ideal for staircase layout.
4. With Thread 1/4", the instrument could be mounted on the tripod or wall mount.
5. Power source: AA battery/Lithium battery/ External power supply through USB micro power supply port.



Optional Accessories



# WM1V1CG



Specification	
Self-leveling Range	±3°
Accuracy	±2mm/10m
Wave Length	520nm±2%
Laser Safety Class	Class 2M
Operating Range	20m or 50m with detector
Power Adapter	4*AA batteries or Lithium battery
Operating Time	4.5H/6.5H
Operating Temperature	-10 C ~45 C
Dimension	86*72*107mm
Net Weight	0.34kg

# WM2C



Specification	
Self-leveling Range	±3°
Accuracy	±2mm/10m
Wave Length	635-670nm
Laser Safety Class	Class 2M
Operating Range	20m or 50m with detector
Power Adapter	4*AA batteries or Lithium battery
Operating Time	9H/13H
Operating Temperature	-10 C ~45 C
Dimension	100*72*107mm
Net Weight	0.36kg

## Features

1. 1x360° horizontal plane and 1x360° vertical plane.
2. Self-leveling. Laser beams blinks and acoustic alarm is given when the instrument is out of self-leveling range.
3. Tilting mode. Tilts and locks in position to project sloped laser lines, ideal for staircase layout.
4. With Thread 1/4", the instrument could be mounted on the tripod or wall mount.
5. Power source: AA battery/Lithium battery/ External power supply through USB micro power supply port.



Optional Accessories



# WM2CG



Specification	
Self-leveling Range	±3°
Accuracy	±2mm/10m
Wave Length	520nm±2%
Laser Safety Class	Class 2M
Operating Range	20m or 50m with detector
Power Adapter	4*AA batteries or Lithium battery
Operating Time	3.5H/6H
Operating Temperature	-10 C ~45 C
Dimension	100*72*107mm
Net Weight	0.36kg



# WM2V1C



Specification	
Self-leveling Range	±3°
Accuracy	±2mm/10m
Wave Length	635-670nm
Laser Safety Class	Class 2M
Operating Range	20m or 50m with detector
Power / Adapter	Lithium battery
Operating Time	27H
Operating Temperature	-10°C -45°C
Dimension	95*58*122mm
Net Weight	0.36kg



Optional Accessories



## Features

- 1x360°horizontal plane and 2 vertical lines.
- Self-leveling. Laser beams blinks and acoustic alarm is given when the instrument is out of self-leveling range.
- Tilting mode. Tilts and locks in position to project sloped laser lines,ideal for staircase layout.
- With Thread 1/4", the instrument could be mounted on the tripod or wall mount.
- Power source: Lithium battery/ External power supply through USB micro power supply port.

# WM2V1CG



Specification	
Self-leveling Range	±3°
Accuracy	±2mm/10m
Wave Length	520nm±2%
Laser Safety Class	Class 2M
Operating Range	20m or 50m with detector
Power / Adapter	Lithium battery
Operating Time	11H
Operating Temperature	-10°C -45°C
Dimension	95*58*122mm
Net Weight	0.36kg

# WM3C



Specification	
Self-leveling Range	±3°
Accuracy	±2mm/10m
Wave Length	635-670nm
Laser Safety Class	Class 2M
Operating Range	20m or 50m with detector
Power / Adapter	Lithium battery
Operating Time	18H
Operating Temperature	-10°C -45°C
Dimension	129*88.5*120mm
Net Weight	0.55kg



Optional Accessories



## Features

- 1x360°horizontal plane & 2x360°vertical planes.
- Self-leveling. Laser beams blinks and acoustic alarm is given when the instrument is out of self-leveling range.
- Tilting mode. Tilts and locks in position to project sloped laser lines,ideal for staircase layout.
- With Thread 1/4", the instrument could be mounted on the tripod or wall mount.
- Power source: Lithium battery/ External power supply through USB micro power supply port.

# WM3CG



Specification	
Self-leveling Range	±3°
Accuracy	±2mm/10m
Wave Length	520nm±2%
Laser Safety Class	Class 2M
Operating Range	20m or 50m with detector
Power / Adapter	Lithium battery
Operating Time	9H
Operating Temperature	-10°C -45°C
Dimension	129*88.5*120mm
Net Weight	0.55kg

# WM300



Specification	
Self-leveling Range	±3°
Accuracy	±2mm/10m
Wave Length	635-670nm
Laser Safety Class	Class 2M
Operating Range	20m or 50m with detector
Power / Adapter	3*AAA batteries
Operating Time	13H
Operating Temperature	-10°C~45°C
Dimension	65*65*65mm
Net Weight	0.175kg



Optional Accessories



## Features

- 1 horizontal line & 1 vertical line.
- Compact mini size, easy to carry and use.
- Self-leveling. Laser beams blink and acoustic alarm is given when the instrument is out of self-leveling range.
- Tilting line purpose is workable when setting the switch to the middle position.
- With Thread 1/4", the instrument could be mounted on the tripod or wall mount.
- Power source: 3xAAA batteries.

# WM300G



Specification	
Self-leveling Range	±3°
Accuracy	±2mm/10m
Wave Length	520nm±2%
Laser Safety Class	Class 2M
Operating Range	20m or 50m with detector
Power / Adapter	3*AAA batteries
Operating Time	5H
Operating Temperature	-10°C~45°C
Dimension	65*65*65mm
Net Weight	0.175kg

# WM1000



Specification	
Self-leveling Range	±3°
Accuracy	±2mm/10m
Wave Length	635-670nm
Laser Safety Class	Class 2M
Operating Range	20m or 50m with detector
Power / Adapter	3*AA batteries
Operating Time	15H
Operating Temperature	-10°C~45°C
Dimension	59*89*90mm
Net Weight	0.21kg



Optional Accessories



## Features

- 1 horizontal line & 1 vertical line.
- Self-leveling. Laser beams disappear when the instrument is out of self-leveling range.
- Tilting line purpose is workable with this unit.
- The laser lines can be turned off one-by-one, leaving only required line for the operation.
- With Thread 1/4", the instrument could be mounted on the tripod or wall mount.
- Power source: 3xAA batteries.

# WM1000G



Specification	
Self-leveling Range	±3°
Accuracy	±2mm/10m
Wave Length	520nm±2%
Laser Safety Class	Class 2M
Operating Range	20m or 50m with detector
Power / Adapter	3*AA batteries
Operating Time	8H
Operating Temperature	-10°C~45°C
Dimension	59*89*90mm
Net Weight	0.21kg



# WM1800G



Specification	
Self-leveling Range	±3°
Accuracy	±2mm/10m
Wave Length	520nm
Laser Safety Class	Class 2M
Operating Range	20m or 50m with detector
Power / Adapter	3 X AA Batteries
Operating Time	6H
Operating Temperature	-10 C ~45 C
Dimension	Ø90 x 165mm
Net Weight	0.67kg

## Features

- 1 H & 1V & Down plumb dot (WM1800G); 1H & 2V & Down plumb dot (WM2800G).
- Self-leveling. Laser beams blink and acoustic alarm is given when the instrument is out of self-leveling range.
- With Thread 5/8", the instrument could be mounted on the tripod or wall mount.
- 2 Brightness modes: Low/Normal options (1800G).  
3 Brightness modes: Low/Normal/High options. (WM2800G)
- Power Source: AA battery (WM1800G)  
AA battery / External Power Supply through DC supply port (WM2800G)



Optional Accessories



Specification	
Self-leveling Range	±3°
Accuracy	±2mm/10m
Wave Length	520nm
Laser Safety Class	Class 2M
Operating Range	20m or 50m with detector
Power / Adapter	4*AA Batteries
Operating Time	5H
Operating Temperature	-10 C ~45 C
Dimension	Ø90 x 165mm
Net Weight	0.67kg

# WM4800G



## Features

- 1 horizontal line & 4 vertical lines plus Down plumb dot. (WM4800G)  
4 horizontal line & 4 vertical lines plus Down plumb dot. (WM8800G)
- Self-leveling. Laser beams blink and acoustic alarm is given if out of leveling range.
- With Thread 5/8", the instrument could be mounted on the tripod or wall mount.
- 3 brightness modes: Low/Normal/High brightness options.
- Power source: Lithium battery/External power supply through DC power supply port.

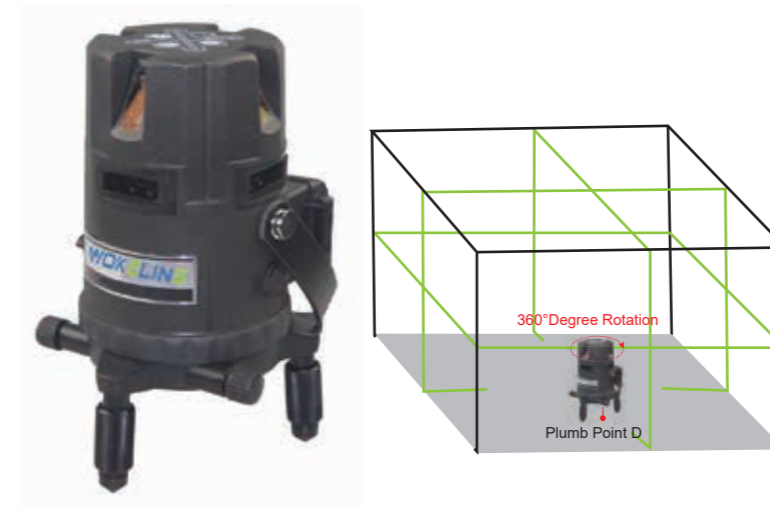
Specification	
Self-leveling Range	±3°
Accuracy	±2mm/10m
Wave Length	520nm
Laser Safety Class	Class 2M
Operating Range	20m or 50m with detector
Power / Adapter	3.7V-3600mAH/Lithium Battery
Operating Time	4H
Operating Temperature	-10 C ~45 C
Dimension	Ø93 x 156mm
Net Weight	0.85kg



Optional Accessories



# WM8800G



Specification	
Self-leveling Range	±3°
Accuracy	±2mm/10m
Wave Length	520nm
Laser Safety Class	Class 2M
Operating Range	20m or 50m with detector
Power / Adapter	3.7V-4200mAH/Lithium Battery
Operating Time	4H
Operating Temperature	-10 C ~45 C
Dimension	Ø88 x 178mm
Net Weight	0.96kg

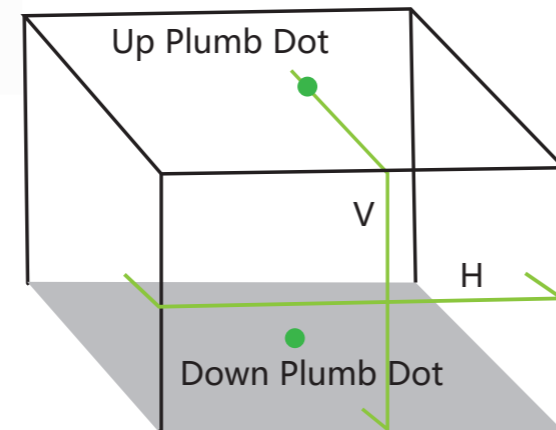
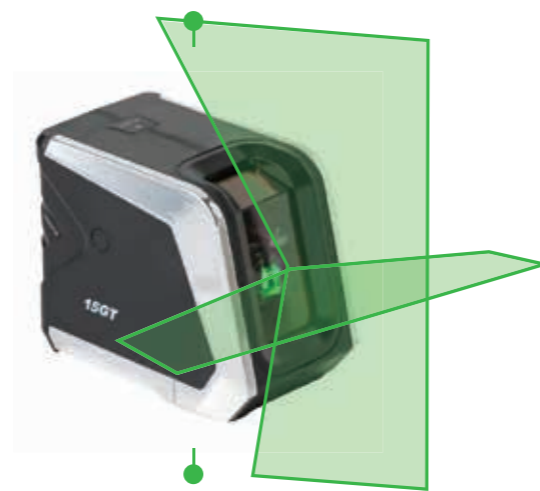
# WM15GT



Specification	
Self-leveling Range	±3°
Accuracy	±2mm/10m
Wave Length	520nm±2%
Laser Safety Class	Class 2M
Operating Range	20m or 50m with detector
Power / Adapter	2*AA batteries or Lithium batteries
Operating Time	7H
Operating Temperature	-10 C ~45 C
Dimension	69*53*88mm
Net Weight	0.29kg

## Features

- 1 horizontal line & 1 vertical line & Up&Down plumb dots
2. Compact mini size, easy to carry and use.
3. Self-leveling. Laser beam blink when the instrument is out of self-leveling range.
4. Tilting mode. Tilts and locks in position to project sloped laser lines, ideal for staircase layout.
5. With Thread 1/4" or 5/8", the instrument could be mounted on the tripod or wall mount.
6. Power source: AA battery/Lithium battery/ External power supply through Type C power supply port.



Optional Accessories



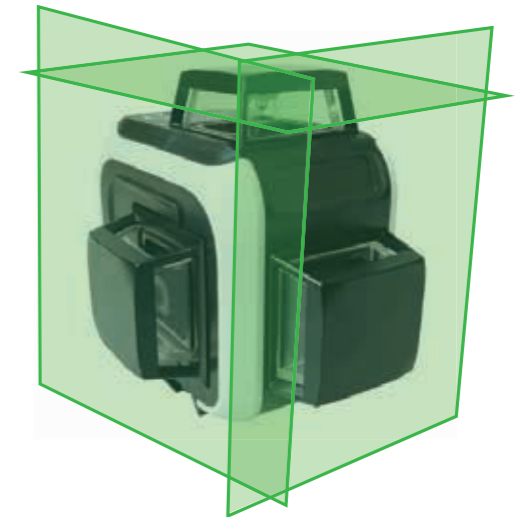
# WM44GT



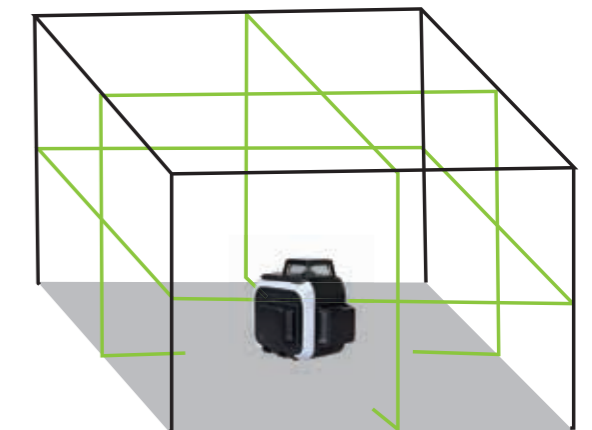
Specification	
Self-leveling Range	±3°
Accuracy	±2mm/10m
Wave Length	520nm±2%
Laser Safety Class	Class 2M
Operating Range	20m or 50m with detector
Power / Adapter	Lithium batteries
Operating Time	Low/Normal/High brightness: 16H/9H/5.5H
Operating Temperature	-10 C ~45 C
Dimension	104*80*94mm
Net Weight	0.43kg

## Features

1. 1x360°horizontal plane & 2x360°vertical planes.
2. Self-leveling. Laser beams blink and acoustic alarm is given when the instrument is out of self-leveling range.
3. Tilting mode. Tilts and locks in position to project sloped laser lines, ideal for staircase layout.
4. With Thread 1/4", the instrument could be mounted on the tripod or wall mount.
5. Power source: Lithium battery/ External power supply through USB micro power supply port



Optional Accessories



# Mini One



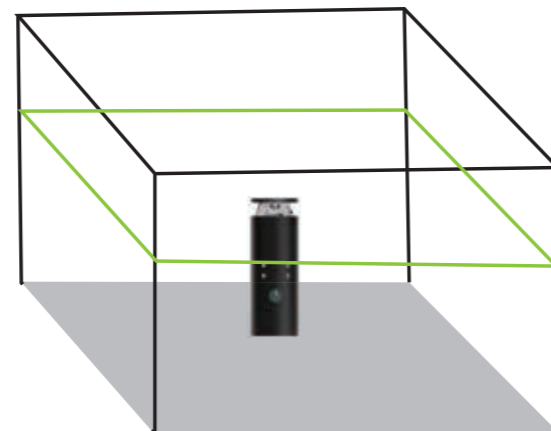
Specification	
Self-leveling Range	±3°
Accuracy	±2mm/10m
Wave Length	520nm±2%
Laser Safety Class	Class 2M
Operating Range	20m or 50m with detector
Power / Adapter	18350 Lithium Battery x 1
Operating Time	4H
Operating Temperature	-10 C ~45 C
Dimension	Φ36*99mm
Net Weight	0.19kg

## Features

1. 1x360°horizontal plane.
2. Compact mini size, easy to carry use.
3. Self-leveling. Laser flashing if out of leveling range.
4. Good DIY tool for home remodeling.



### Optional Accessories



# Laser dector & remote control

Specification	LS-8	LR-50	LR-60G
Accuracy	±1mm/10m	±1mm/10m	±1mm/10m
Operating Time	30H	30H	30H
Battery	2*AAA	1*AA	1*9V, Type 6LR61
Dimension	140x68x25mm	90x58x25mm	150x50x25mm



# Optional Accessories

Clamp	Goggles	Tripod 1	Tripod 2
		Thread: 1/4 inch Lifting: 24-40cm	Thread: 1/4 inch Lifting: 35-90cm
360° Tuenable	Target Plate TP1	Target Plate TP2	

# Lithium Battery

Li-1	Li-2	Li-3	Li-4
7.4V 2000mAh 1800mAh	3.7V 3600mAh 4200mAh	3.7V 3200mAh	3.7V 4200mAh
Li-5	Li-6	Li-7	
3.7V 3200mAh	3.7V 5200mAh	3.7V 1200mAh	





# Power Adapter & USB Cable

AD-3C-AU	AD-3C-EU	AD-3C-KR	AD-3C-UK
Input: 100~240V Output: 5V~2A	Input: 100~240V Output: 5V~2A	Input: 100~240V Output: 5V~2A	Input: 100~240V Output: 5V~2A
AD-3C-US	Type-C	USB-Micro	USB-DC
Input: 100~240V Output: 5V~2A	5V~2A 100cm	5V~2A 50cm	5V~2A 50cm






# Battery Charger

CH-3C-NU	CH-3C-KR		
Input: DC 5V±5% Output: 4.2V/8.4V±5%, 800mA	Input: DC 5V±5% Output: 4.2V/8.4V±5%, 800mA		

## Magnetic Bracket

WB-1	WB-2	WB-3	WB-5
 <p>1/4inch Thread N.W:127g Adjustable: 0-5cm</p>	 <p>1/4inch Thread N.W:116g Adjustable: 0-4cm</p>	 <p>1/4inch Thread N.W:77g Adjustable: 0-2.5cm</p>	 <p>1/4inch Thread N.W:154g Adjustable: 0-2cm</p>

## Retailing Package

PB-1	PB-2	PB-3	PB-4
 <p>27.5*23.5*12.5cm</p>	 <p>32.5*28*13cm</p>	 <p>32.5*27*12cm</p>	 <p>47*36*17cm</p>
<p>AB-1</p>  <p>18.5*29*24.5cm</p>			

## Adapter

Adapter 1	Adapter 2	Adapter 3	Adapter 4
 <p>1/4~5/8inch</p>	 <p>5/8~1/4inch</p>	 <p>5/8~5/8inch-53.5mm</p>	 <p>5/8~5/8inch-20mm</p>
<p>Adatpter 5</p>  <p>5/8~5/8inch-30mm</p>	 <p>5/8~1/4inch</p>	 <p>1/4~1/4inch Lifting: 0~2cm</p>	

## Base

BR1(360°)	BR2(XY360°)	BR3	BR4
			
<p>LT1</p>  <p>0-58mm 90*90*24mm</p>	<p>LT2</p>  <p>0-63mm 90*90*27mm</p>		



# Usage Scenarios



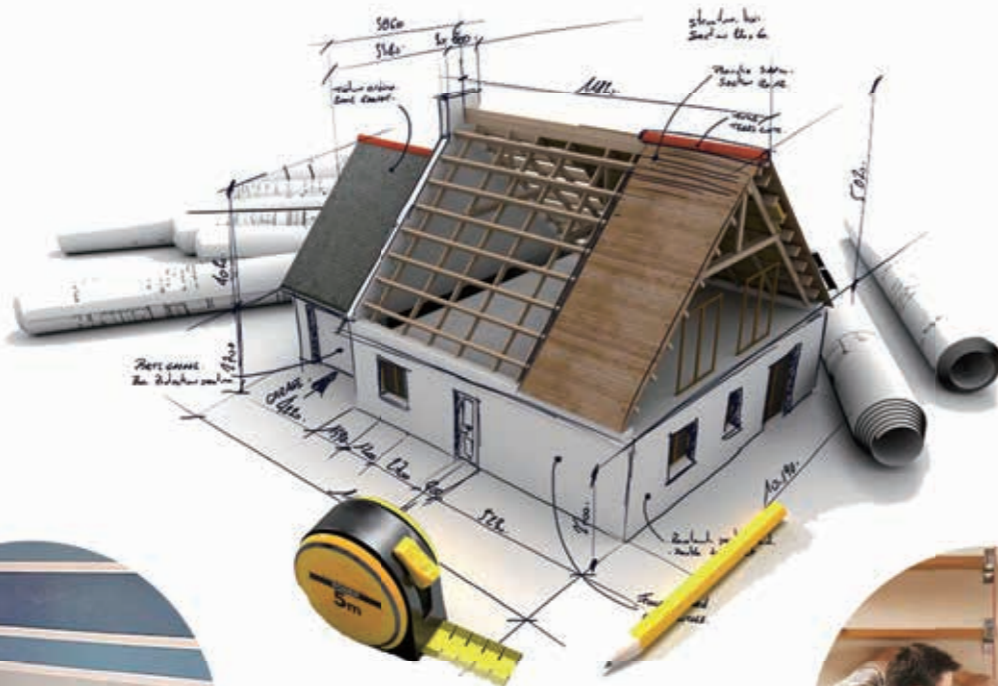
flooring



doors & windows



ceiling



painting



woodworking



staircase



picture hanging



tiling

# Waterproof IP54



WM2C

# Dustproof IP54

